



DEF-D

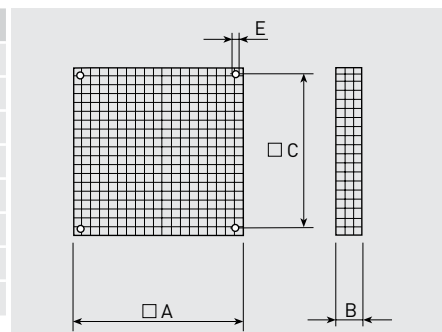
Square discharge wire protection guards. Protection guard to prevent any contact with the fan impeller.

Model	Ø A	B	Ø C	Ø E
DEF-250 D	332	64	286	8
DEF-325 D	397	64	351	8
DEF-375 D	449	64	403	8
DEF-450 D	501	64	455	8
DEF-525 D	553	64	507	8
DEF-630 D	808	150	735	8
DEF-800 D	1008	140	935	8
DEF-1000 D	1258	155	1185	8

Wire mesh hole size (mm):

10,6 x 10,6 (from 250 models to 525)

25 x 25 (from 630 models to 1000)



DEF-T

Inlet/outlet guard protection grille to be mounted to the S&P COMPACT cased axial fans.

Model	A	B	ØD	Number of holes
Guard protection grille DEF-T (inlet / outlet side)				
DEF-250 T	312	1,2	-	-
DEF-315 T	380	3	-	-
DEF-355 T	420	3	-	-
DEF-400 T	475	3	-	-
DEF-450 T	525	3	-	-
DEF-500 T	595	3	-	-
DEF-560 T	655	3	-	-
DEF-630 T	725	3	-	-

Guard protection grille DEF-T ASPIRACION (inlet impeller side)

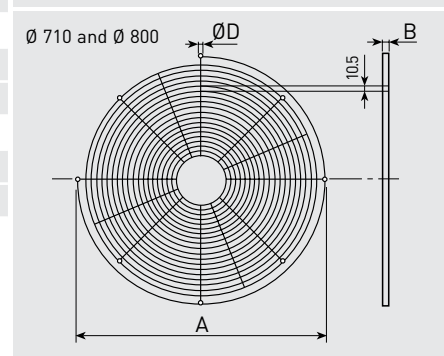
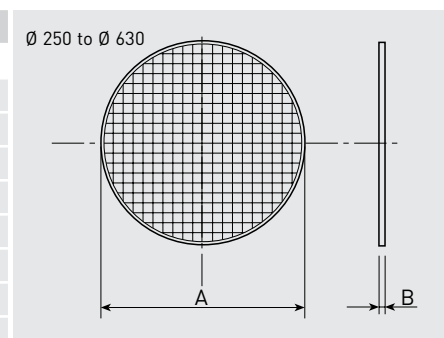
DEF-710 T ASPIRACION	770	5	12	8
DEF-800 T ASPIRACION	860	5	11	8

Guard protection grille DEF-T DESCARGA (outlet motor side)

DEF-710/H-T DESCARGA	770	5	12	8
DEF-710/L-T DES CARGA	770	5	12	8

Wire mesh hole size (mm):

10,6 x 10,6 (from 250 models to 630)



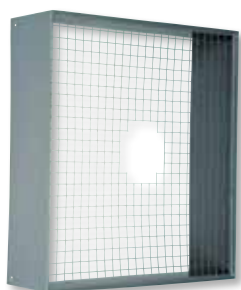
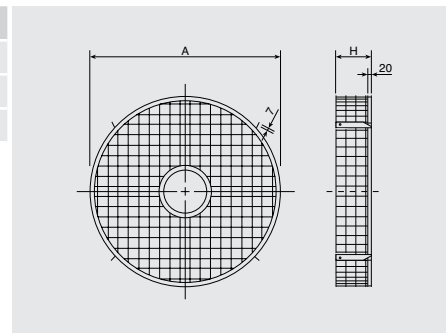


DEF-AN

Inlet guard protection grille to be mounted with large diameter (800 to 1000) plate mounted axial fans.

Model	Ø A	H
DEF-800 AN	926	178
DEF-900 AN / DEF-901 AN	1026	228
DEF-1000 AN	1154	163

Wire mesh hole size (mm): **25 x 25**

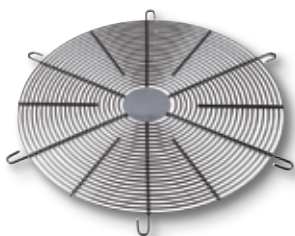
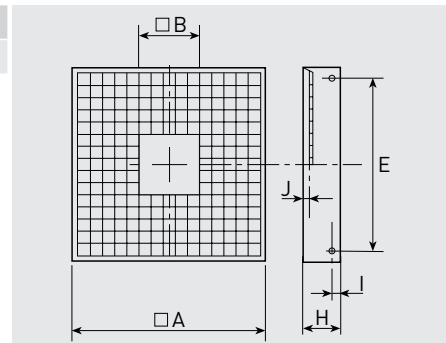


DEF-1001 A

Inlet guard protection grille to be mounted with HCFT/4-1000/H-X and HCBT/4-1000/H-X plate mounted axial fans.

Model	Ø A	Ø B	E	H	I	J
DEF-1001 A	1258	297	1185	265	34	22

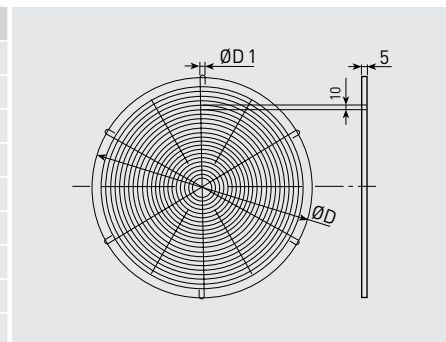
Wire mesh hole size (mm): **25 x 25**



DEF.ASP.TGT/THGT

Inlet guard protection grille to be mounted to the TGT and THGT cased axial fans.

Model	D	D1	Number of holes
DEF.ASP.TGT/THGT-400	450	12	4
DEF.ASP.TGT/THGT-450	500	12	4
DEF.ASP.TGT/THGT-500	560	12	6
DEF.ASP.TGT/THGT-560	620	12	6
DEF.ASP.TGT/THGT-630	690	12	6
DEF.ASP.TGT/THGT-800	860	12	8
DEF.ASP.TGT/THGT-900	970	12	8
DEF.ASP.TGT/THGT-1000	1070	12	8
DEF.ASP.TGT/THGT-1250	1320	12	10

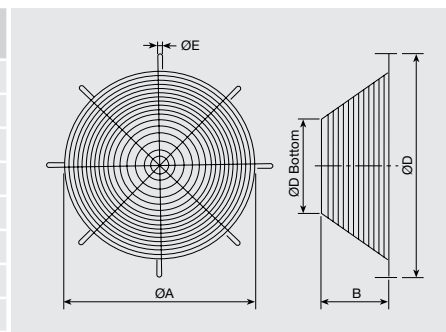




DEF.DES.TGT/THGT

Outlet guard protection grille to be mounted to the TGT and THGT cased axial fans.

Model (motor side)	Ø A	Ø B	Bottom Ø D	Ø D	Ø E	Nº of holes	Weight (kg)
DEF.DES.TGT/THGT-400	380	170	365	465	10	4	2,2
DEF.DES.TGT/THGT-450	430	190	335	515	10	4	2,7
DEF.DES.TGT/THGT-500	480	190	400	560	12	6	3,5
DEF.DES.TGT/THGT-560	540	230	430	620	12	6	4,2
DEF.DES.TGT/THGT-630	610	270	382	690	12	6	3,4
DEF.DES.TGT/THGT-710	690	255	420	770	12	8	4,4
DEF.DES.TGT/THGT-800	780	295	460	860	12	8	5,2
DEF.DES.TGT/THGT-900	880	315	540	970	12	8	6,4
DEF.DES.TGT/THGT-1000	980	335	620	1070	12	8	8,1
DEF.DES.TGT/THGT-1250	1230	385	800	1320	12	10	13,5



EMB-T

Bellmouth protection guard to reduce turbulence at inlet and prevent any contact with the fan impeller.

Model	Ø A	B	Ø C	Ø D	E
EMB-315T	426	165	355	320	8x10
EMB-355T	435	165	395	359	8x10
EMB-400T	507	165	450	401	8x12
EMB-450T	555	165	500	450	8x12
EMB-500T	617	165	560	504	12x12
EMB-560T	674	165	620	560	12x12
EMB-630T	734	165	690	630	12x12
EMB-710T	815	250	770	710	16x12
EMB-800T	905	250	860	800	16x12
EMB-900T	1005	250	970	900	16x15
EMB-1000T	1105	250	1070	1000	16x15
EMB-1250T	1355	250	1320	1250	20x15

